

degradable Eco Friendly Bags Recyclable Ecological Eco Friendly Bag
reen Environmental Soil Conservable Cotton Bags Jute Bags Reusable
Conservable Bags Reusable Recyclable Bio Degradable Bags Reusable
n Environmental Bags Cotton Bags Jute Bags Bio Degradable Bags
able Recyclable Reusable Eco Friendly Ecological Soil Conservable Re
able Bags Soil Conservable Cotton Bags Jute Bags Bio Degradable Gr
servable Environmental Bio Degradable Recyclable Ecological Environ
o Friendly Cotton Bags Ecological Jute Bags Bio Degradable Ecologica
egradable Bags Reusable Cotton Bags Ecological Reusable Reusable
Green Environmental Jute Bags Recyclable Environmental Jute Bags
Eco Friendly Reusable Recyclable Bio Degradable Reusable Recycl
ental Bags Ecological Cotton Bags Jute Bags Reusable Ecological C
egradable Eco Friendly Reusable Recyclable Ecological Eco Friendly
reen Environmental Soil Conservable Cotton Bags Jute Bags Reusable
servable Eco Friendly Reusable Recyclable Bio Degradable Reusable
en Environmental Ecological Cotton Bags Jute Bags Ecological Environ
bags Cotton Bags Green Cotton Bags Reusable Bio Degradable Environ
usable Bags Soil Conservable Jute Bags Soil Conservable Soil Cons
reen Reusable Recyclable Ecological Bio Degradable Recyclable Bio
Bags Ecological Bio Degradable Soil Conservable Bio Degradable Ba
ogical Eco Friendly Environmental Bags Ecological Soil Conservable
egradable Recyclable Reusable Eco Friendly Ecological Reusable Environ
Reusable Bags Soil Conservable Cotton Bags Jute Bags Reusable
onservable Environmental Bags Recyclable Ecological Cotton Bags
Eco Friendly Cotton Bags Ecological Jute Bags Eco Friendly Reusable
egradable Eco Friendly Reusable Recyclable Ecological Soil Conservab
n Environmental Soil Conservable Cotton Bags Jute Bags Reusable
ogical Green Bags Reusable Recyclable Bio Degradable Bags Environ
Eco Friendly Cotton Bags Ecological Jute Bags Recyclable Cotton Ba
egradable Eco Friendly Reusable Recyclable Ecological Bio Degradab
Bags Green Bags Soil Conservable Cotton Bags Jute Bags Bags Bag



THE JUTE SHOP

TJS Wine Bags

reen Reusable Recyclable Ecological Bio Degradable Recyclable
Bags Ecological Bio Degradable Soil Conservable Bio Degradable Reu
ogical Eco Friendly Reusable Bio Dec
egradable Recyclable al Environmental
eusable Bags Soil Bags Soil Conserva
onservable Environmental Bags Recyclable Ecological Environmental
Eco Friendly Cotton Bags Ecological Jute Bags Eco Friendly Bags
radable Eco Friendly Reusable Recyclable Ecological Cotton Bags Re



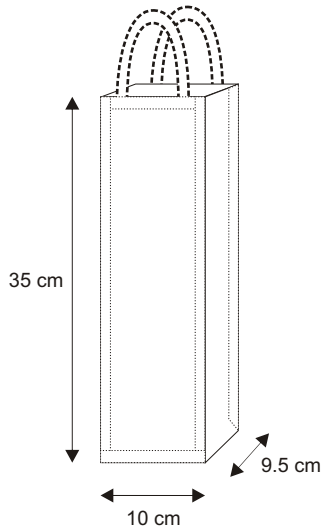
KANKARIA GROUP

SINCE 1941

Where innovation is a way of life

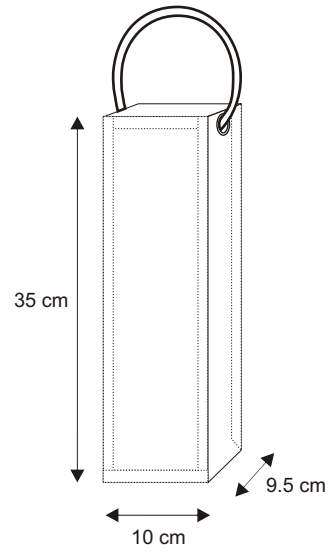
STEP: 1

Please choose your bag's shape



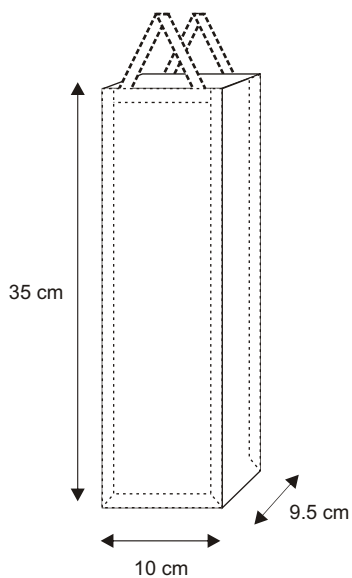
Bag Code: **WB 1A**

Style: Single Bottle no Window
Bag Size: H: 35 x W: 10 x G: 9.5 cm
Handle: Self Fabric



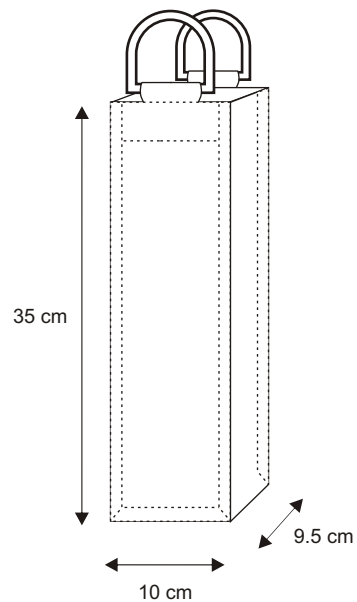
Bag Code: **WB 1B**

Style: Single Bottle no Window
Bag Size: H: 35 x W: 10 G: 9.5 cm
Handle: 9mm rope Dyed



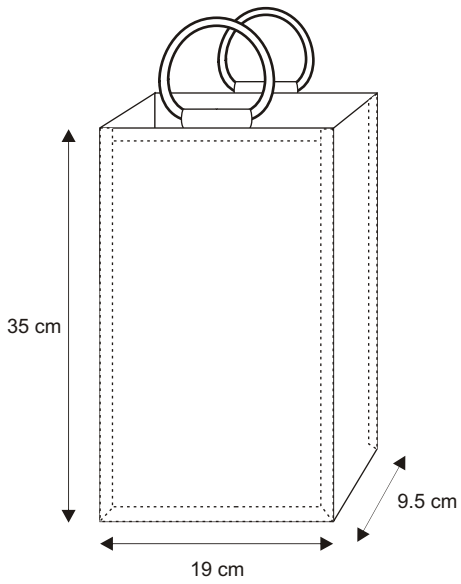
Bag Code: **WB 1C**

Style: Single Bottle no Window
Bag Size: H: 35 x W: 10 x G: 9.5 cm
Handle: 1" Cotton Tape Handle Off White



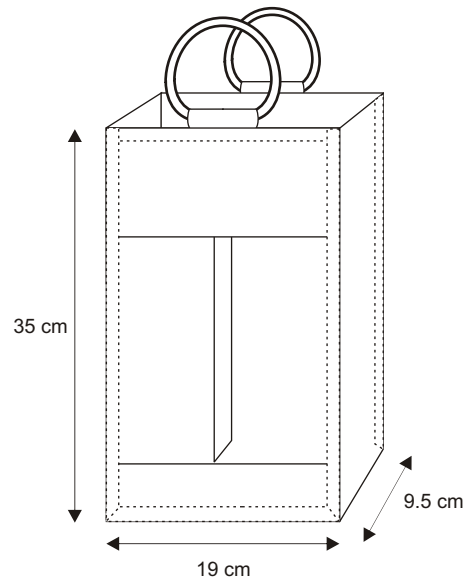
Bag Code: **WB 1D**

Style: Single Bottle Bag with front PVC
Bag Size: H: 35 x W: 10 G: 9.5 cm
Handle: 2.5" D Cane Handle



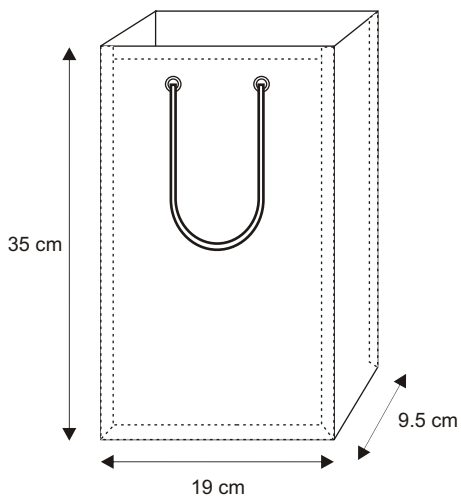
Bag Code: **WB 2A**

Style: Two Bottle Holder without front window
 Bag Size: H: 35 x W: 19 x G: 9.5 cm
 Handle: 4" Apple Cane Handle



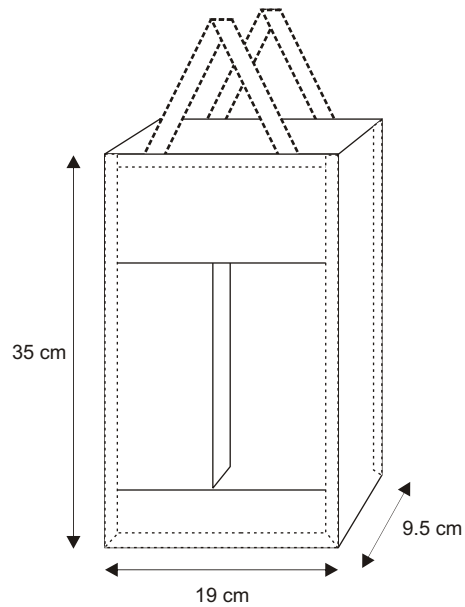
Bag Code: **WB 2B**

Style: Two Bottle Holder with front window
 Bag Size: H: 35 x W: 19 x G: 9.5 cm
 Handle: 4" Apple Cane Handle
 Inside Partition: Stitched / Detachable



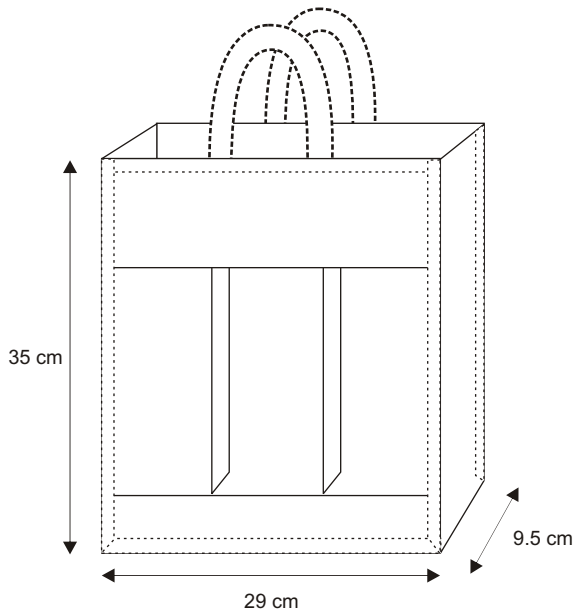
Bag Code: **WB 2C**

Style: Two Bottle Holder without front window
 Bag Size: H: 35 x W: 19 x G: 9.5 cm
 Handle: 8 MM Cotton Rope Off White



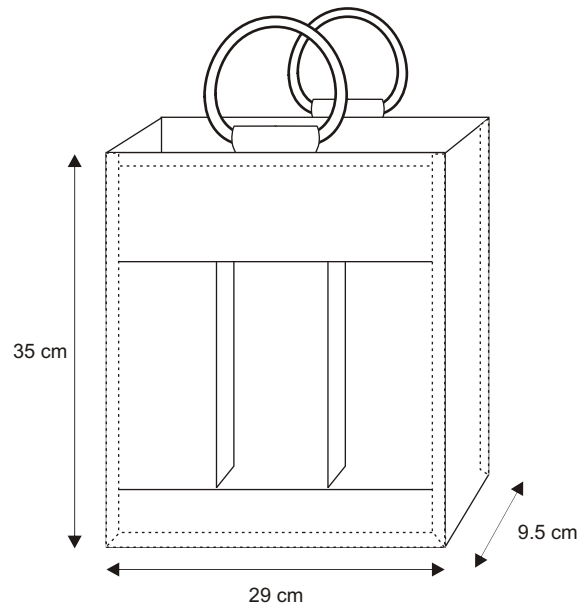
Bag Code: **WB 2D**

Style: Two Bottle Holder with front window
 Bag Size: H: 35 x W: 19 x G: 9.5 cm
 Handle: 1" Cotton Tape Off White
 Inside Partition: Stitched / Detachable



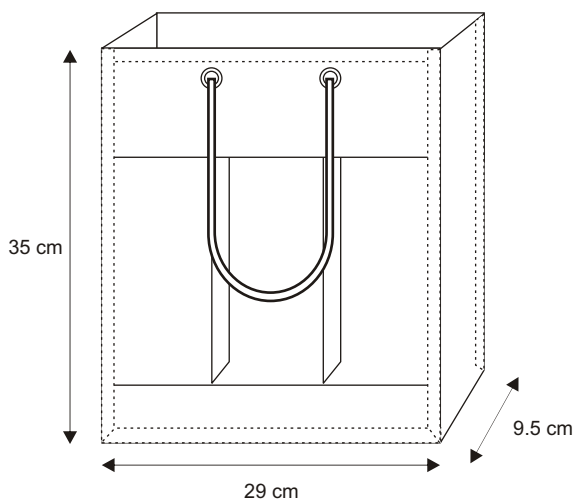
Bag Code: **WB 3A**

Style: Three Bottle Holder with front window
 Bag Size: H: 35 x W: 29 x G: 9.5 cm
 Handle: Self Fabric Handle
 Inside Partition: Stitched / Detachable



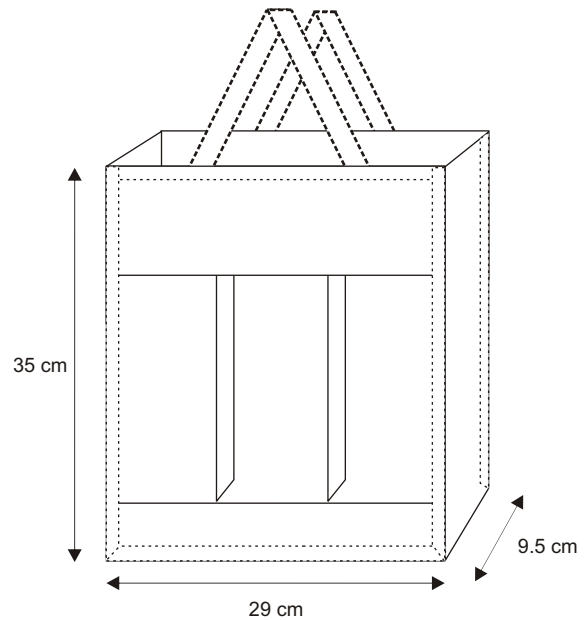
Bag Code: **WB 3B**

Style: Three Bottle Holder with front window
 Bag Size: H: 35 x W: 29 x G: 9.5 cm
 Handle: 5" Apple Cane Handle
 Inside Partition: Stitched / Detachable



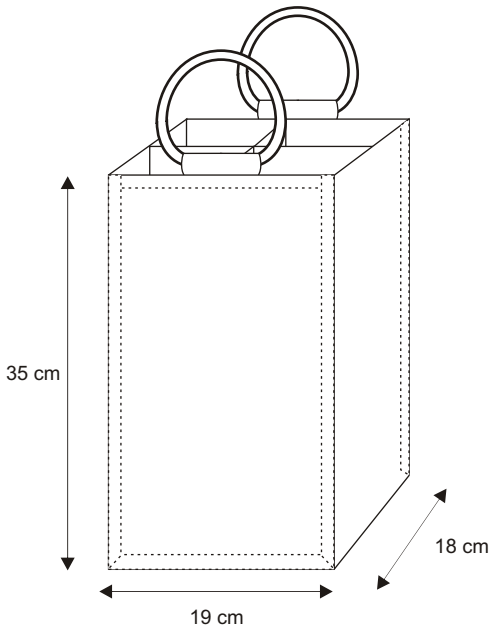
Bag Code: **WB 3C**

Style: Three Bottle Holder with front window
 Bag Size: H: 35 x W: 29 x G: 9.5 cm
 Handle: 8 MM Cotton Rope Off White
 Inside Partition: Stitched / Detachable



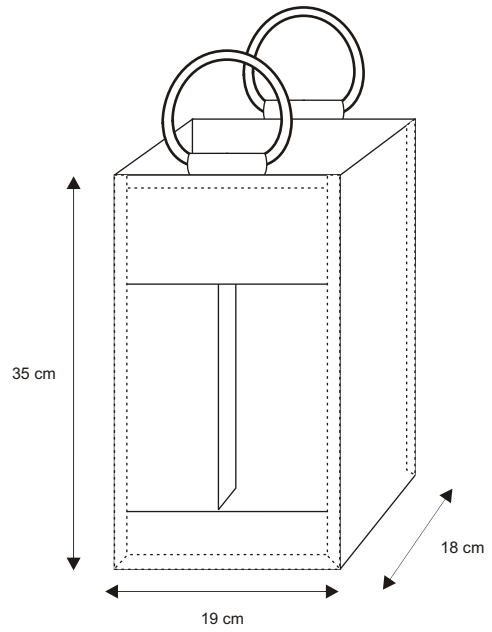
Bag Code: **WB 3D**

Style: Three Bottle Holder with front window
 Bag Size: H: 35 x W: 29 x G: 9.5 cm
 Handle: 1" Cotton Tape Off White
 Inside Partition: Stitched / Detachable



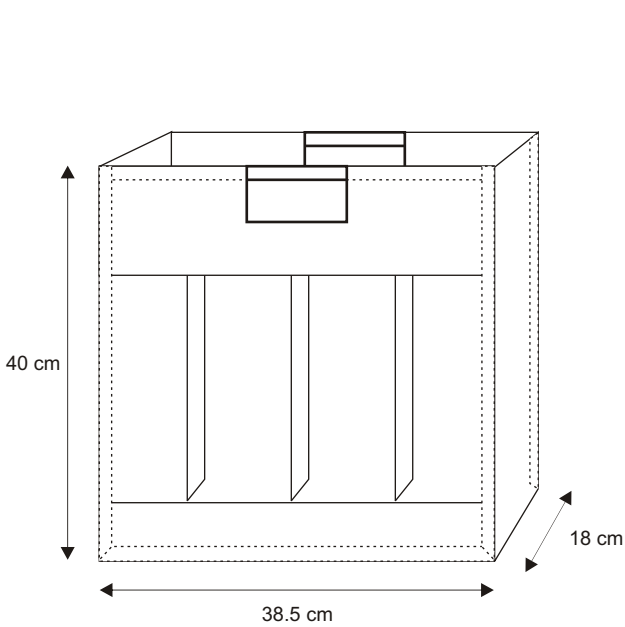
Bag Code: **WB 4A**

Style: Four Bottle Holder without front window
 Bag Size: H: 35 x W: 19 x G: 18 cm
 Handle: 5" Apple Cane Handle
 Inside Partition: Stitched / Detachable



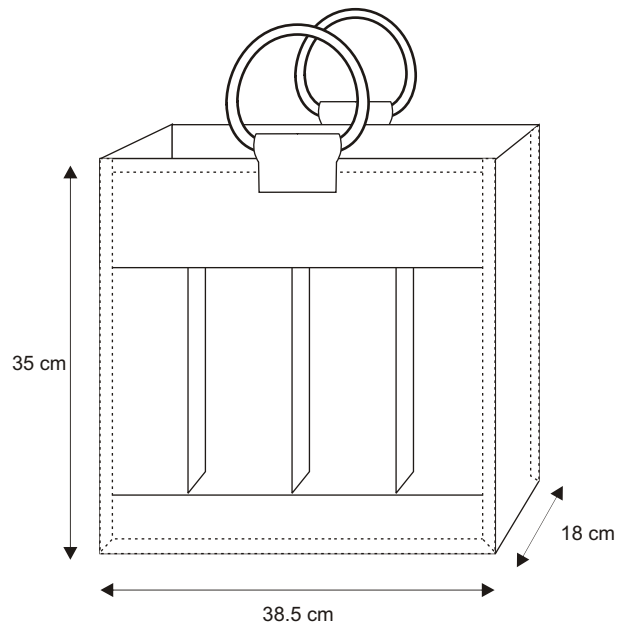
Bag Code: **WB 4B**

Style: Four Bottle Holder with front window
 Bag Size: H: 35 x W: 19 x G: 18 cm
 Handle: 4" Apple Cane Handle
 Inside Partition: Stitched / Detachable



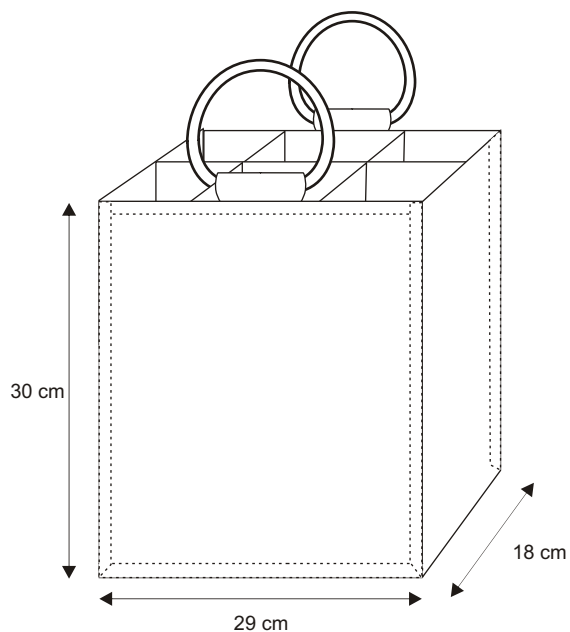
Bag Code: **WB 4C**

Style: Four Bottle Holder with front window
 Bag Size: H: 40 x W: 38.5 x G: 18 cm
 Handle: 12" Bamboo Handle
 Inside Partition: Stitched / Detachable



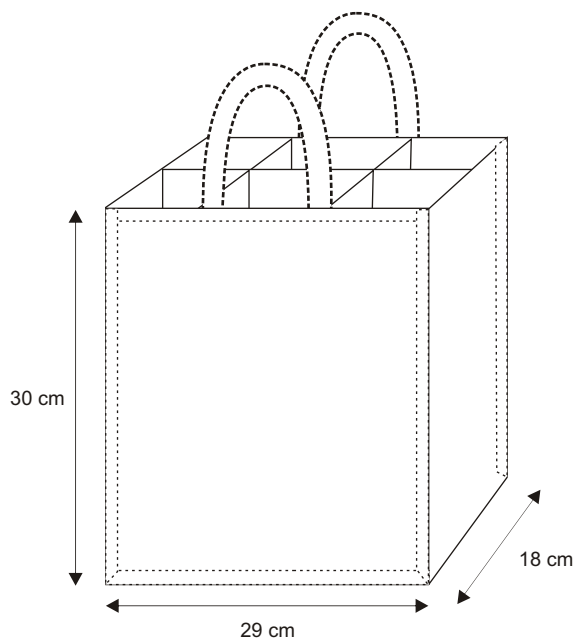
Bag Code: **WB 4D**

Style: Four Bottle Holder with front window
 Bag Size: H: 35 x W: 38.5 x G: 18 cm
 Handle: 5" Apple Cane Handle
 Inside Partition: Stitched / Detachable



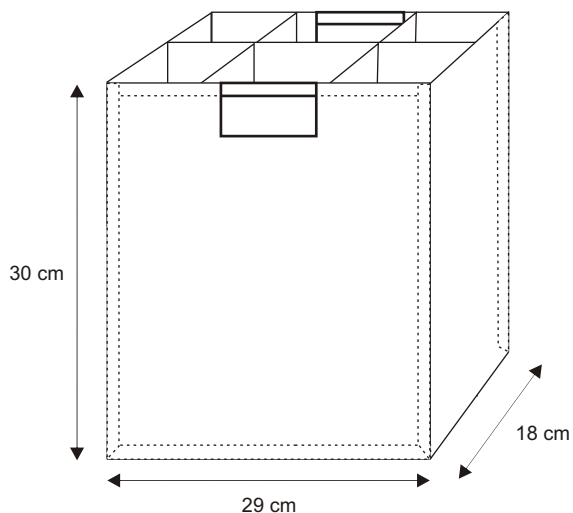
Bag Code: **WB 6A**

Style: Six Bottle Holder without front window
 Bag Size: H: 30 x W: 29 x G: 18 cm
 Handle: 5.5" Apple Cane Handle
 Inside Partition: Stitched / Detachable



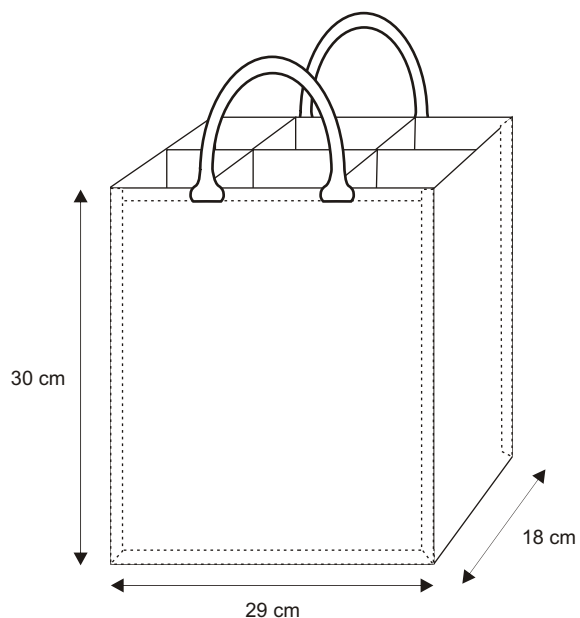
Bag Code: **WB 6B**

Style: Six Bottle Holder without front window
 Bag Size: H: 30 x W: 29 x G: 18 cm
 Handle: Self Fabric Handle
 Inside Partition: Stitched / Detachable



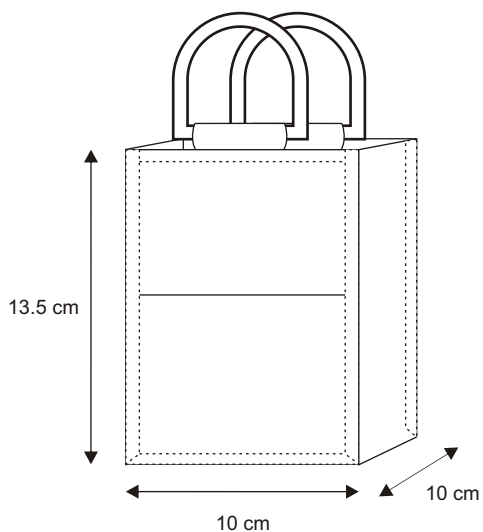
Bag Code: **WB 6C**

Style: Six Bottle Holder without front window
 Bag Size: H: 30 x W: 29 x G: 18 cm
 Handle: 10.5" Bamboo Handle
 Inside Partition: Stitched / Detachable



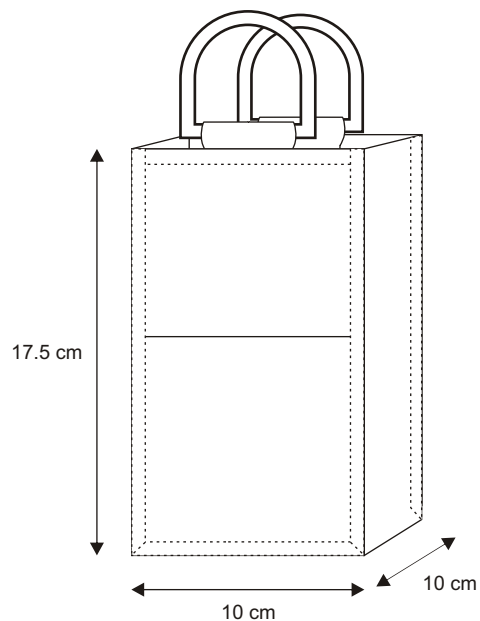
Bag Code: **WB 6D**

Style: Six Bottle Holder with front window
 Bag Size: H: 30 x W: 29 x G: 18 cm
 Handle: Cotton Tape heavy wt. with rope inside
 Inside Partition: Stitched / Detachable



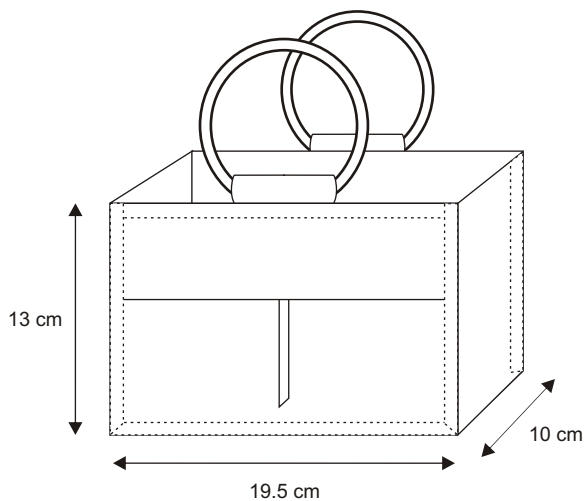
Bag Code: **CB 1A**

Style: One Can Hold With Front PVC
 Bag Size: H: 13.5 x W: 10 x G: 10 cm
 Handle: 2.5" D-Cane Handle



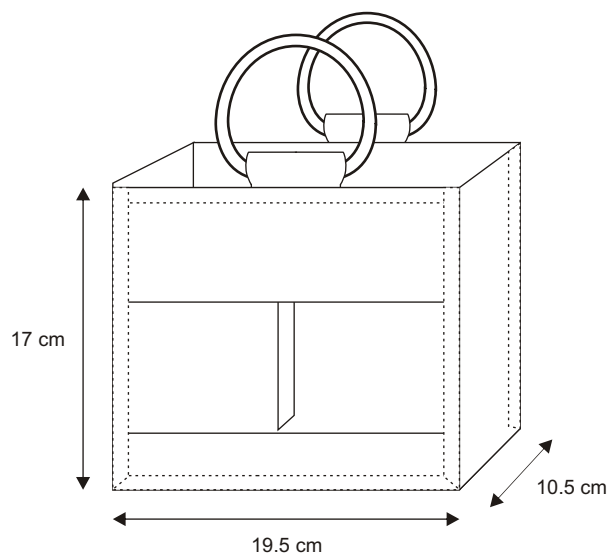
Bag Code: **CB 1B**

Style: One Can Hold With Front PVC
 Bag Size: H: 17.5 x W: 10 x G: 10 cm
 Handle: 2.5" D Cane Handle



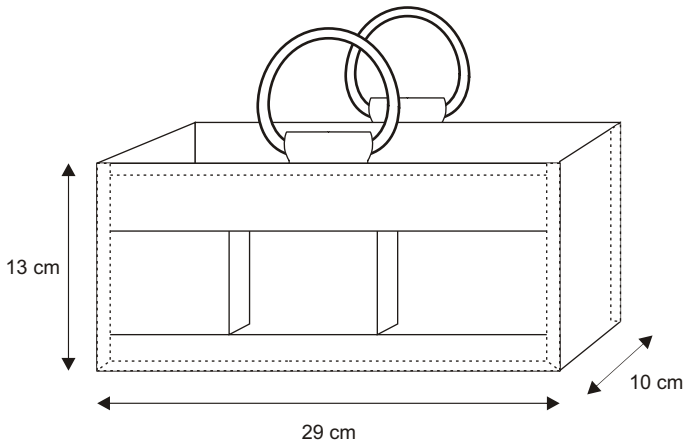
Bag Code: **CB 2A**

Style: Two Can Hold With Front PVC
 Bag Size: H: 13 x W: 19.5 x G: 10 cm
 Handle: 4" Apple Cane Handle



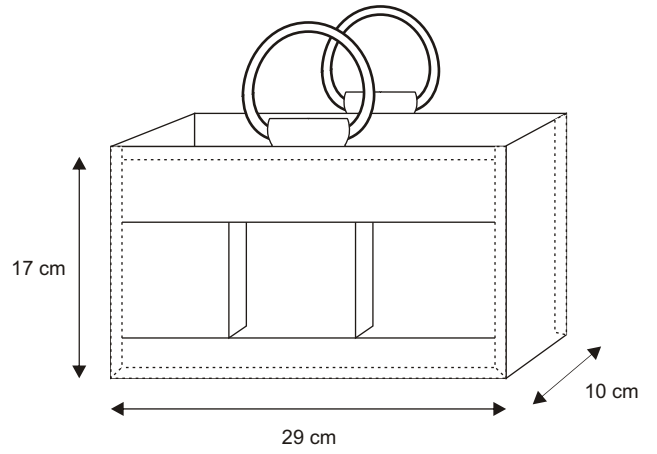
Bag Code: **CB 2B**

Style: Two Can Hold With Front PVC
 Bag Size: H: 17 W: 19.5 G: 10.5 cm
 Handle: 4" Apple Cane Handle



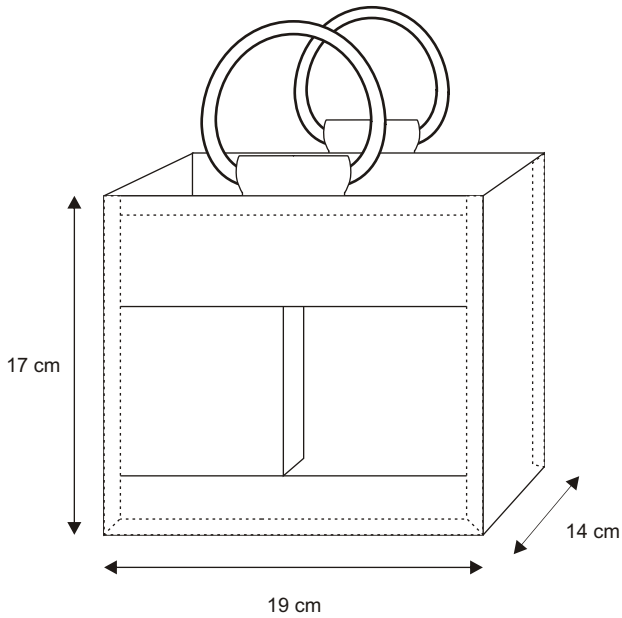
Bag Code: **CB 3A**

Style: Three Cane Hold with Front PVC
 Bag Size: H: 13 W: 29 x G: 10 cm
 Handle: 4" Apple Cane Handle



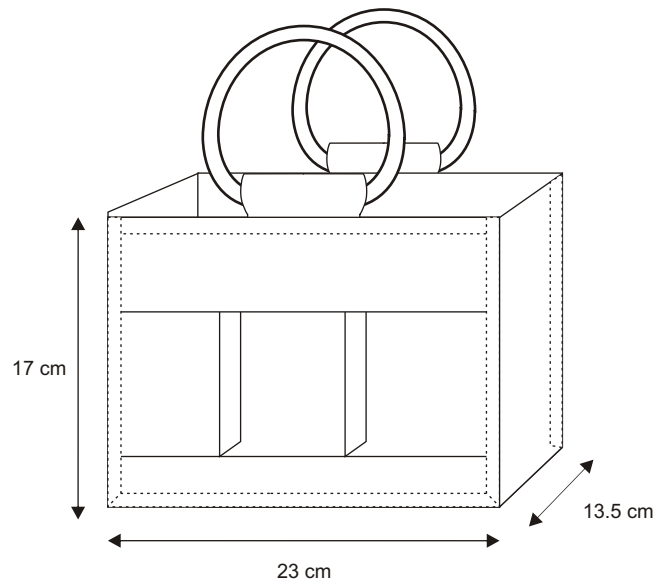
Bag Code: **CB 3B**

Style: Three Cane Hold with Front PVC
 Bag Size: H: 17 x W: 29 x G: 10 cm
 Handle: 4" Apple Cane Handle



Bag Code: **CB 4A**

Style: Four Cane Hold Front PVC
 Bag Size: H: 17 x W: 19 x G: 14 cm
 Handle: 4" Apple Cane Handle







Bag Code: **CB 6A**

Style: Six Cane Hold Front PVC
 Bag Size: H: 17 x W: 23 G: 13.5 cm
 Handle: 4" Apple Cane Handle

STEP: 2

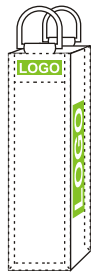
Please choose your printing option

	1 SIDE A	2 SIDES A+B	3 SIDES A+B+C	4 SIDES A+B+C+D	5 SIDE A+B+C+D+E
1 COLOUR 	P 1	P 5	P 9	P 13	P 17
2 COLOUR 	P 2	P 6	P 10	P 14	P 18
3 COLOUR 	P 3	P 7	P 11	P 15	P 19
4 COLOUR 	P 4	P 8	P 12	P 16	P 20



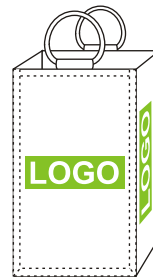
A

1 BOTTLE HOLDER

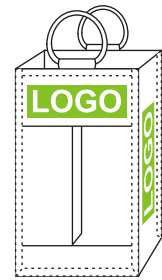


B

2 BOTTLE HOLDER



C



D



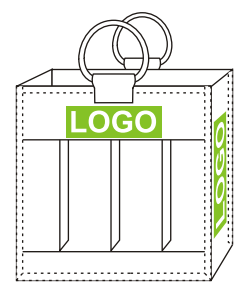
E

3 BOTTLE HOLDER



F

4 BOTTLE HOLDER

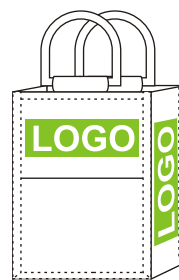


G



H

6 BOTTLE HOLDER



I

CAN HOLDER



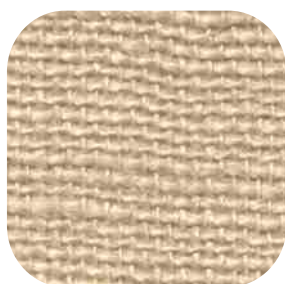
J

STEP: 3

Please choose your bag's fabric colour shade



FBC01 NATURAL



FBC02 FLORAL WHITE



FBC03 PASTEL YELLOW



FBC04 MARIGOLD



FBC05 BANYAN GREEN



FBC06 FERN GREEN



FBC07 LEAF GREEN



FBC08 JADE GREEN



FBC09 SALMON



FBC10 BRIGHT PEACH



FBC11 MOHAWK



FBC12 POPPY RED



FBC13 VERMILION



FBC14 DAWN BLUE



FBC15 TURQUOISE



FBC16 ROYAL BLUE



FBC17 PERU



FBC18 FOREST GREY



FBC19 DARK CEDAR



FBC20 BLACK

STEP: 4

Please choose your bag label

Option 01 : Manufacturer's contact details

Size: (W) 1.32 x (H) 1 inch



Label Front Side



Label Back Side

Option 02 : Buyer's contact details

Size: (W) 1.32 x (H) 1 inch



Label Front Side

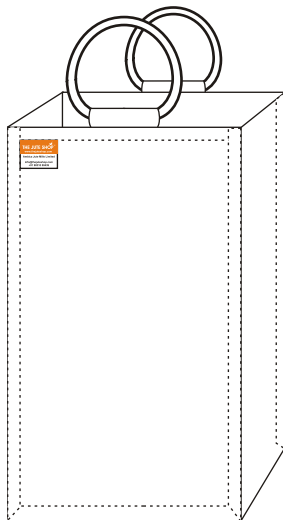


Label Back Side

STEP: 5

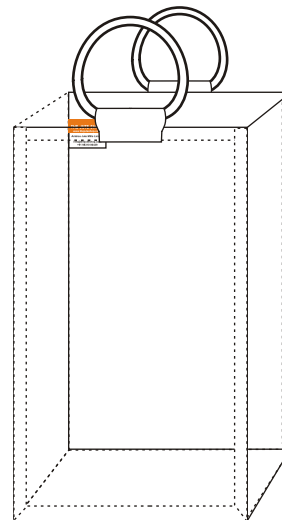
Please choose label position

Option 01 : Outside the bag



Upper left seam of the bag

Option 02 : Inside the bag



Inner left seam of the bag



Bag Code : WB 1A

- Bag Shape Code: WB 1A
Size - (H) 35 x (W) 10 x (G) 9.5 cm
- Bag Handle Code: H 10
W: 2.5 X 35 CM
- Fabric Colour Code: FBC02 FLORAL WHITE & FBC01 NATURAL
- Material - 100% Jute Laminated



Bag Code : WB 1B

- Bag Shape Code: WB 1B
Size - (H) 35 x (W) 10 x (G) 9.5 cm
- Bag Handle Code: H 29
DIA: 8 MM X 35 CM
- Fabric Colour Code: FBC14 DAWN BLUE
- Material - 100% Jute Laminated



Bag Code : WB 1C

- Bag Shape Code: WB 1C
Size - (H) 35 x (W) 10 x (G) 9.5 cm
- Bag Handle Code: H 17
W: 3.8 X 35 CM
- Fabric Colour Code: FBC02 FLORAL WHITE & FBC06 FERN GREEN
- Material - 100% Jute Laminated



Bag Code : WB 1D

- Bag Shape Code: WB 1D
Size - (H) 35 x (W) 10 x (G) 9.5 cm
- Bag Handle Code: H 41
CANE 2.5" D-SHAPE
- Fabric Colour Code: FBC19 DARK CEDAR
- Material - 100% Jute Laminated



Bag Code : WB 2A

- Bag Shape Code: WB 2A
Size - (H) 35 x (W) 19 x (G) 9.5 cm
- Bag Handle Code: H 46
CANE 4" APPLE SHAPE
- Fabric Colour Code: FBC02 FLORAL WHITE
- Material - 100% Jute Laminated



Bag Code : WB 2B

- Bag Shape Code: WB 2B
Size - (H) 35 x (W) 19 x (G) 9.5 cm
- Bag Handle Code: H 46
CANE 4" APPLE SHAPE
- Fabric Colour Code: FBC01 NATURAL & FBC19 DARK CEDAR
- Material - 100% Jute Laminated



Bag Code : WB 2C

- Bag Shape Code: WB 2C
Size - (H) 35 x (W) 19 x (G) 9.5 cm
- Bag Handle Code: H 29
DIA: 8 MM X L: 35 CM
- Fabric Colour Code: FBC02 FLORAL WHITE
- Material - 100% Jute Laminated



Bag Code : WB 2D

- Bag Shape Code: WB 2D
Size - (H) 35 x (W) 10 x (G) 9.5 cm
- Bag Handle Code: H 17
DIA: 3.8 X L: 35 CM
- Fabric Colour Code: FBC06 FERN GREEN
- Material - 100% Jute Laminated



Bag Code : WB 3A

- Bag Shape Code: WB 3A
Size - (H) 35 x (W) 29 x (G) 9.5 cm
- Bag Handle Code: H 10
W: 2.5 X L: 35 CM
- Fabric Colour Code: FBC19 DARK CEDAR
- Material - 100% Jute Laminated



Bag Code : WB 3B

- Bag Shape Code: WB 3B
Size - (H) 35 x (W) 29 x (G) 9.5 cm
- Bag Handle Code: H 47
CANE 5" APPLE SHAPE
- Fabric Colour Code: FBC01 NATURAL
- Material - 100% Jute Laminated



Bag Code : WB 3C

- Bag Shape Code: WB 3C
Size - (H) 35 x (W) 29 x (G) 9.5 cm
- Bag Handle Code: H 29
DIA: 8 MM X L: 35 CM
- Fabric Colour Code: FBC01 NATURAL
& FBC19 DARK CEDAR
- Material - 100% Jute Laminated



Bag Code : WB 3D

- Bag Shape Code: WB 3D
Size - (H) 35 x (W) 29 x (G) 9.5 cm
- Bag Handle Code: H 17
W: 3.8 X L: 35 CM
- Fabric Colour Code: FBC02 FLORAL WHITE
& FBC06 FERN GREEN
- Material - 100% Jute Laminated



Bag Code : WB 4A

- Bag Shape Code: WB 4A
Size - (H) 35 x (W) 19 x (G) 18 cm
- Bag Handle Code: H 47
CANE 5" APPLE SHAPE
- Fabric Colour Code: FBC01 NATURAL
- Material - 100% Jute Laminated



Bag Code : WB 4B

- Bag Shape Code: WB 4B
Size - (H) 35 x (W) 19 x (G) 18 cm
- Bag Handle Code: H 46
CANE 4" APPLE SHAPE
- Fabric Colour Code: FBC06 FERN GREEN & FBC01 NATURAL
- Material - 100% Jute Laminated



Bag Code : WB 4C

- Bag Shape Code: WB 4C
Size - (H) 40 x (W) 38.5 x (G) 18 cm
- Bag Handle Code: H 67
CANE 4" APPLE SHAPE
- Fabric Colour Code: FBC01 NATURAL
- Material - 100% Jute Laminated



Bag Code : WB 4D

- Bag Shape Code: WB 4D
Size - (H) 35 x (W) 38.5 x (G) 18 cm
- Bag Handle Code: H 47
CANE 5" APPLE SHAPE
- Fabric Colour Code: FBC19 DARK CEDAR & FBC01 NATURAL
- Material - 100% Jute Laminated



Bag Code : WB 6A

- Bag Shape Code: WB 6A
Size - (H) 30 x (W) 29 x (G) 18 cm
- Bag Handle Code: H 48
CANE 7" APPLE SHAPE
- Fabric Colour Code: FBC11 MOHAWK
& FBC01 NATURAL
- Material - 100% Jute Laminated



Bag Code : WB 6B

- Bag Shape Code: WB 6B
Size - (H) 30 x (W) 29 x (G) 18 cm
- Bag Handle Code: H 9
W: 2.5 X L: 35 CM
- Fabric Colour Code: FBC11 MOHAWK
& FBC01 NATURAL
- Material - 100% Jute Laminated



Bag Code : WB 6C

- Bag Shape Code: WB 6C
Size - (H) 30 x (W) 29 x (G) 18 cm
- Bag Handle Code: H 66
BAMBOO 10.5"
- Fabric Colour Code: FBC02 FLORAL WHITE
& FBC19 DARK CEDAR
- Material - 100% Jute Laminated



Bag Code : WB 6D

- Bag Shape Code: WB 6D
Size - (H) 30 x (W) 29 x (G) 18 cm
- Bag Handle Code: H 33
DIA: 9 MM X L: 35 CM
- Fabric Colour Code: FBC02 FLORAL WHITE
- Material - 100% Jute Laminated



Bag Code : CB 1A

- Bag Shape Code: CB 1A
Size - (H) 13.5 x (W) 10 x (G) 10 cm
- Bag Handle Code: H 41
CANE 2.5" D-SHAPE
- Fabric Colour Code: FBC02 FLORAL WHITE & FBC01 NATURAL
- Material - 100% Jute Laminated



Bag Code : CB 1B

- Bag Shape Code: CB 1B
Size - (H) 17.5 x (W) 10 x (G) 10 cm
- Bag Handle Code: H 41
CANE 2.5" D-SHAPE
- Fabric Colour Code: FBC12 POPPY RED & FBC01 NATURAL
- Material - 100% Jute Laminated



Bag Code : CB 2A

- Bag Shape Code: CB 2A
Size - (H) 13 x (W) 19.5 x (G) 10 cm
- Bag Handle Code: H 46
CANE 4" APPLE SHAPE
- Fabric Colour Code: FBC02 FLORAL WHITE & FBC01 NATURAL
- Material - 100% Jute Laminated



Bag Code : CB 2B

- Bag Shape Code: CB 2B
Size - (H) 17 x (W) 19.5 x (G) 10.5 cm
- Bag Handle Code: H 46
CANE 4" APPLE SHAPE
- Fabric Colour Code: FBC12 POPPY RED & FBC01 NATURAL
- Material - 100% Jute Laminated



Bag Code : CB 3A

- Bag Shape Code: CB 3A
Size - (H) 13 x (W) 29 x (G) 10 cm
- Bag Handle Code: H 46
CANE 4" APPLE SHAPE
- Fabric Colour Code: FBC02 FLORAL WHITE & FBC01 NATURAL
- Material - 100% Jute Laminated



Bag Code : CB 3B

- Bag Shape Code: CB 3B
Size - (H) 17 x (W) 29 x (G) 10 cm
- Bag Handle Code: H 46
CANE 4" APPLE SHAPE
- Fabric Colour Code: FBC12 POPPY RED & FBC01 NATURAL
- Material - 100% Jute Laminated



Bag Code : CB 4A

- Bag Shape Code: CB 4A
Size - (H) 17 x (W) 19 x (G) 14 cm
- Bag Handle Code: H 46
CANE 4" APPLE SHAPE
- Fabric Colour Code: FBC12 POPPY RED & FBC01 NATURAL
- Material - 100% Jute Laminated

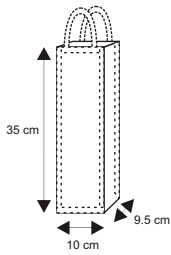


Bag Code : CB 6A

- Bag Shape Code: CB 6A
Size - (H) 17 x (W) 23 x (G) 13.5 cm
- Bag Handle Code: H 46
CANE 4" APPLE SHAPE
- Fabric Colour Code: FBC12 POPPY RED & FBC01 NATURAL
- Material - 100% Jute Laminated

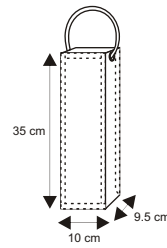
PACKING DETAILS

WB 1A



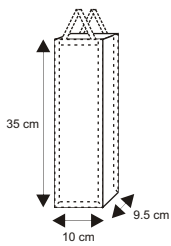
Bag shape No.	:	WB 1A
No. of bags per carton	:	200
No. of carton per 20 ft container	:	295
Total No. of bags per 20 ft container	:	59000
Bag weight in (gms.)	:	76
Net weight in (kg)	:	15.20
Gross weight in (kg)	:	16.80
Empty carton weight in (kg)	:	1.6
Carton dimension	:	18x18x18
Carton size in (cbm)	:	0.10
No. of carton per (cbm)	:	10.00
Gross weight per cbm	:	168.00

WB 1B



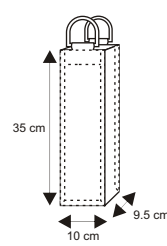
Bag shape No.	:	WB 1B
No. of bags per carton	:	200
No. of carton per 20 ft container	:	295
Total No. of bags per 20 ft container	:	59000
Bag weight in (gms.)	:	68
Net weight in (kg)	:	13.60
Gross weight in (kg)	:	15.20
Empty carton weight in (kg)	:	1.6
Carton dimension	:	18x18x18
Carton size in (cbm)	:	0.10
No. of carton per (cbm)	:	10.00
Gross weight per cbm	:	152.00

WB 1C



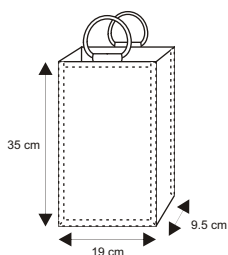
Bag shape No.	:	WB 1C
No. of bags per carton	:	200
No. of carton per 20 ft container	:	295
Total No. of bags per 20 ft container	:	59000
Bag weight in (gms.)	:	68
Net weight in (kg)	:	13.60
Gross weight in (kg)	:	15.20
Empty carton weight in (kg)	:	1.6
Carton dimension	:	18x18x18
Carton size in (cbm)	:	0.10
No. of carton per (cbm)	:	10.00
Gross weight per cbm	:	152.00

WB 1D



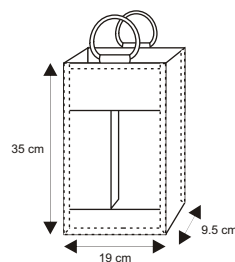
Bag shape No.	:	WB 1D
No. of bags per carton	:	175
No. of carton per 20 ft container	:	295
Total No. of bags per 20 ft container	:	51625
Bag weight in (gms.)	:	114
Net weight in (kg)	:	19.95
Gross weight in (kg)	:	21.55
Empty carton weight in (kg)	:	1.6
Carton dimension	:	18x18x18
Carton size in (cbm)	:	0.10
No. of carton per (cbm)	:	10.00
Gross weight per cbm	:	215.50

WB 2A



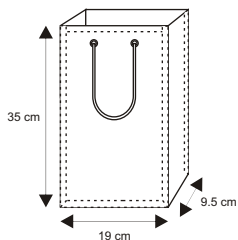
Bag shape No.	:	WB 2A
No. of bags per carton	:	100
No. of carton per 20 ft container	:	295
Total No. of bags per 20 ft container	:	29500
Bag weight in (gms.)	:	145
Net weight in (kg)	:	14.50
Gross weight in (kg)	:	16.10
Empty carton weight in (kg)	:	1.6
Carton dimension	:	18x18x18
Carton size in (cbm)	:	0.10
No. of carton per (cbm)	:	10.00
Gross weight per cbm	:	161.00

WB 2B



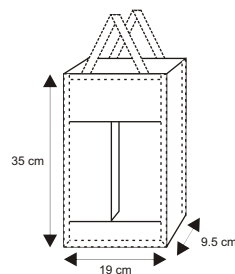
Bag shape No.	:	WB 2B
No. of bags per carton	:	75
No. of carton per 20 ft container	:	295
Total No. of bags per 20 ft container	:	22125
Bag weight in (gms.)	:	198
Net weight in (kg)	:	14.85
Gross weight in (kg)	:	16.45
Empty carton weight in (kg)	:	1.6
Carton dimension	:	18x18x18
Carton size in (cbm)	:	0.10
No. of carton per (cbm)	:	10.00
Gross weight per cbm	:	164.50

WB 2C



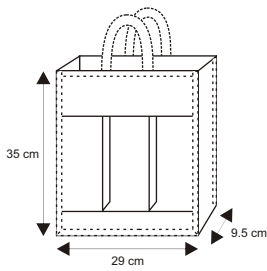
Bag shape No.	:	WB 2C
No. of bags per carton	:	100
No. of carton per 20 ft container	:	295
Total No. of bags per 20 ft container	:	29500
Bag weight in (gms.)	:	127
Net weight in (kg)	:	12.70
Gross weight in (kg)	:	14.30
Empty carton weight in (kg)	:	1.6
Carton dimension	:	18x18x18
Carton size in (cbm)	:	0.10
No. of carton per (cbm)	:	10.00
Gross weight per cbm	:	143.00

WB 2D



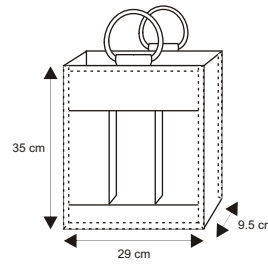
Bag shape No.	:	WB 2D
No. of bags per carton	:	100
No. of carton per 20 ft container	:	295
Total No. of bags per 20 ft container	:	29500
Bag weight in (gms.)	:	125
Net weight in (kg)	:	12.50
Gross weight in (kg)	:	14.10
Empty carton weight in (kg)	:	1.6
Carton dimension	:	18x18x18
Carton size in (cbm)	:	0.10
No. of carton per (cbm)	:	10.00
Gross weight per cbm	:	141.00

WB 3A



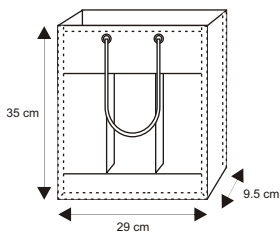
Bag shape No.	:	WB 3A
No. of bags per carton	:	90
No. of carton per 20 ft container	:	295
Total No. of bags per 20 ft container	:	26550
Bag weight in (gms.)	:	176
Net weight in (kg)	:	15.84
Gross weight in (kg)	:	17.44
Empty carton weight in (kg)	:	1.6
Carton dimension	:	18x18x18
Carton size in (cbm)	:	0.10
No. of carton per (cbm)	:	10.00
Gross weight per cbm	:	174.40

WB 3B



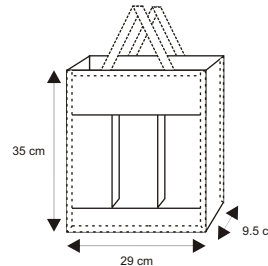
Bag shape No.	:	WB 3B
No. of bags per carton	:	60
No. of carton per 20 ft container	:	295
Total No. of bags per 20 ft container	:	17700
Bag weight in (gms.)	:	285
Net weight in (kg)	:	17.10
Gross weight in (kg)	:	18.70
Empty carton weight in (kg)	:	1.6
Carton dimension	:	18x18x18
Carton size in (cbm)	:	0.10
No. of carton per (cbm)	:	10.00
Gross weight per cbm	:	187.00

WB 3C



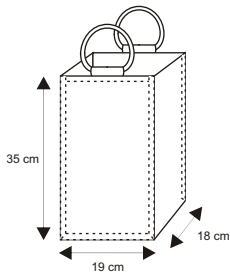
Bag shape No.	:	WB 3C
No. of bags per carton	:	80
No. of carton per 20 ft container	:	295
Total No. of bags per 20 ft container	:	23600
Bag weight in (gms.)	:	230
Net weight in (kg)	:	18.40
Gross weight in (kg)	:	20.00
Empty carton weight in (kg)	:	1.6
Carton dimension	:	18x18x18
Carton size in (cbm)	:	0.10
No. of carton per (cbm)	:	10.00
Gross weight per cbm	:	200.00

WB 3D



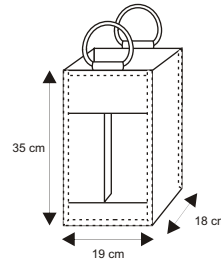
Bag shape No.	:	WB 3D
No. of bags per carton	:	90
No. of carton per 20 ft container	:	295
Total No. of bags per 20 ft container	:	26550
Bag weight in (gms.)	:	185
Net weight in (kg)	:	16.65
Gross weight in (kg)	:	18.25
Empty carton weight in (kg)	:	1.6
Carton dimension	:	18x18x18
Carton size in (cbm)	:	0.10
No. of carton per (cbm)	:	10.00
Gross weight per cbm	:	182.50

WB 4A



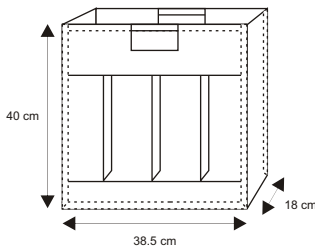
Bag shape No.	:	WB 4A
No. of bags per carton	:	60
No. of carton per 20 ft container	:	295
Total No. of bags per 20 ft container	:	17700
Bag weight in (gms.)	:	265
Net weight in (kg)	:	15.90
Gross weight in (kg)	:	17.50
Empty carton weight in (kg)	:	1.6
Carton dimension	:	18x18x18
Carton size in (cbm)	:	0.10
No. of carton per (cbm)	:	10.00
Gross weight per cbm	:	175.00

WB 4B



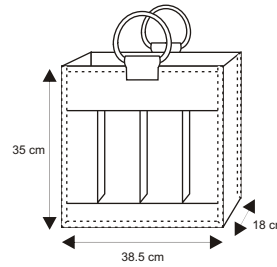
Bag shape No.	:	WB 4B
No. of bags per carton	:	60
No. of carton per 20 ft container	:	295
Total No. of bags per 20 ft container	:	17700
Bag weight in (gms.)	:	217
Net weight in (kg)	:	13.02
Gross weight in (kg)	:	14.62
Empty carton weight in (kg)	:	1.6
Carton dimension	:	18x18x18
Carton size in (cbm)	:	0.10
No. of carton per (cbm)	:	10.00
Gross weight per cbm	:	146.20

WB 4C



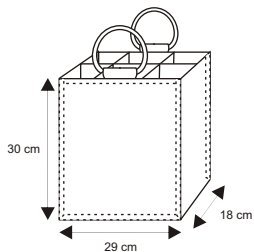
Bag shape No.	:	WB 4C
No. of bags per carton	:	40
No. of carton per 20 ft container	:	295
Total No. of bags per 20 ft container	:	11800
Bag weight in (gms.)	:	290
Net weight in (kg)	:	11.60
Gross weight in (kg)	:	13.20
Empty carton weight in (kg)	:	1.6
Carton dimension	:	18x18x18
Carton size in (cbm)	:	0.10
No. of carton per (cbm)	:	10.00
Gross weight per cbm	:	132.00

WB 4D



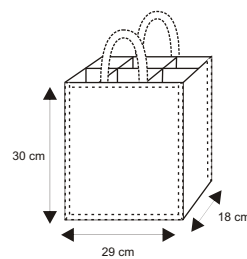
Bag shape No.	:	WB 4D
No. of bags per carton	:	50
No. of carton per 20 ft container	:	295
Total No. of bags per 20 ft container	:	14750
Bag weight in (gms.)	:	283
Net weight in (kg)	:	14.15
Gross weight in (kg)	:	15.75
Empty carton weight in (kg)	:	1.6
Carton dimension	:	18x18x18
Carton size in (cbm)	:	0.10
No. of carton per (cbm)	:	10.00
Gross weight per cbm	:	157.50

WB 6A



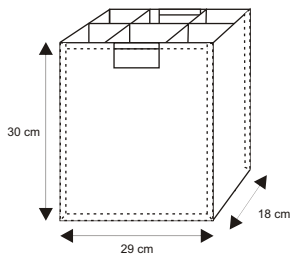
Bag shape No.	:	WB 6A
No. of bags per carton	:	50
No. of carton per 20 ft container	:	295
Total No. of bags per 20 ft container	:	14750
Bag weight in (gms.)	:	242
Net weight in (kg)	:	12.10
Gross weight in (kg)	:	13.70
Empty carton weight in (kg)	:	1.6
Carton dimension	:	18x18x18
Carton size in (cbm)	:	0.10
No. of carton per (cbm)	:	10.00
Gross weight per cbm	:	137.00

WB 6B



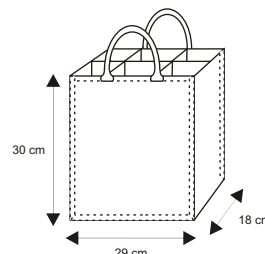
Bag shape No.	:	WB 6B
No. of bags per carton	:	60
No. of carton per 20 ft container	:	295
Total No. of bags per 20 ft container	:	17700
Bag weight in (gms.)	:	224
Net weight in (kg)	:	13.44
Gross weight in (kg)	:	15.04
Empty carton weight in (kg)	:	1.6
Carton dimension	:	18x18x18
Carton size in (cbm)	:	0.10
No. of carton per (cbm)	:	10.00
Gross weight per cbm	:	150.40

WB 6C



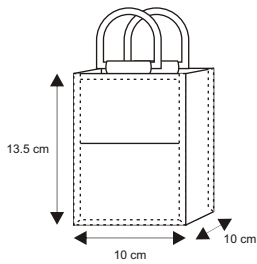
Bag shape No.	:	WB 6C
No. of bags per carton	:	40
No. of carton per 20 ft container	:	295
Total No. of bags per 20 ft container	:	11800
Bag weight in (gms.)	:	275
Net weight in (kg)	:	11.00
Gross weight in (kg)	:	12.60
Empty carton weight in (kg)	:	1.6
Carton dimension	:	18x18x18
Carton size in (cbm)	:	0.10
No. of carton per (cbm)	:	10.00
Gross weight per cbm	:	126.00

WB 6D



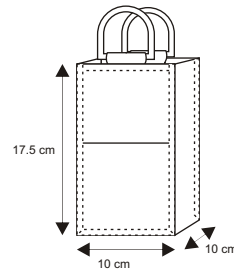
Bag shape No.	:	WB 6D
No. of bags per carton	:	65
No. of carton per 20 ft container	:	295
Total No. of bags per 20 ft container	:	19175
Bag weight in (gms.)	:	265
Net weight in (kg)	:	17.23
Gross weight in (kg)	:	18.83
Empty carton weight in (kg)	:	1.6
Carton dimension	:	18x18x18
Carton size in (cbm)	:	0.10
No. of carton per (cbm)	:	10.00
Gross weight per cbm	:	188.25

CB 1A



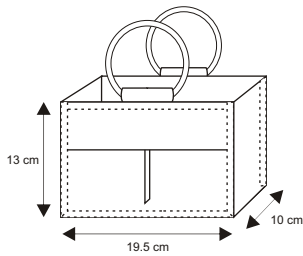
Bag shape No.	:	CB 1A
No. of bags per carton	:	250
No. of carton per 20 ft container	:	295
Total No. of bags per 20 ft container	:	73750
Bag weight in (gms.)	:	56
Net weight in (kg)	:	14.00
Gross weight in (kg)	:	15.60
Empty carton weight in (kg)	:	1.6
Carton dimension	:	18x18x18
Carton size in (cbm)	:	0.10
No. of carton per (cbm)	:	10.00
Gross weight per cbm	:	156.00

CB 1B



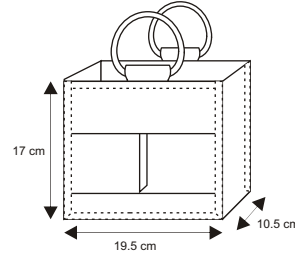
Bag shape No.	:	CB 1B
No. of bags per carton	:	235
No. of carton per 20 ft container	:	295
Total No. of bags per 20 ft container	:	69325
Bag weight in (gms.)	:	59
Net weight in (kg)	:	13.87
Gross weight in (kg)	:	15.47
Empty carton weight in (kg)	:	1.6
Carton dimension	:	18x18x18
Carton size in (cbm)	:	0.10
No. of carton per (cbm)	:	10.00
Gross weight per cbm	:	154.65

CB 2A



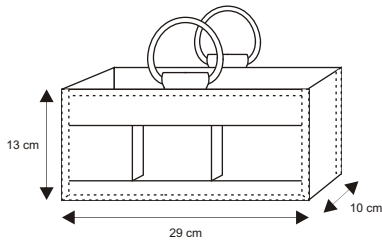
Bag shape No.	:	CB 2A
No. of bags per carton	:	150
No. of carton per 20 ft container	:	295
Total No. of bags per 20 ft container	:	44250
Bag weight in (gms.)	:	79
Net weight in (kg)	:	11.85
Gross weight in (kg)	:	13.45
Empty carton weight in (kg)	:	1.6
Carton dimension	:	18x18x18
Carton size in (cbm)	:	0.10
No. of carton per (cbm)	:	10.00
Gross weight per cbm	:	134.50

CB 2B



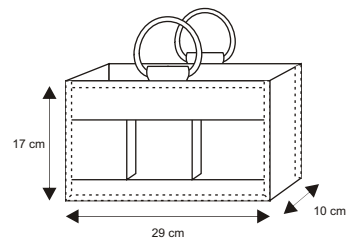
Bag shape No.	:	CB 2B
No. of bags per carton	:	140
No. of carton per 20 ft container	:	295
Total No. of bags per 20 ft container	:	41300
Bag weight in (gms.)	:	98
Net weight in (kg)	:	13.72
Gross weight in (kg)	:	15.32
Empty carton weight in (kg)	:	1.6
Carton dimension	:	18x18x18
Carton size in (cbm)	:	0.10
No. of carton per (cbm)	:	10.00
Gross weight per cbm	:	153.20

CB 3A



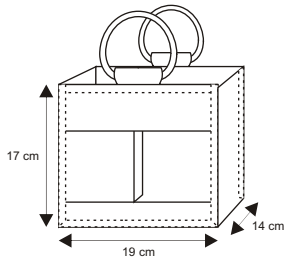
Bag shape No.	:	CB 3A
No. of bags per carton	:	100
No. of carton per 20 ft container	:	295
Total No. of bags per 20 ft container	:	29500
Bag weight in (gms.)	:	113
Net weight in (kg)	:	11.30
Gross weight in (kg)	:	12.90
Empty carton weight in (kg)	:	1.6
Carton dimension	:	18x18x18
Carton size in (cbm)	:	0.10
No. of carton per (cbm)	:	10.00
Gross weight per cbm	:	129.00

CB 3B



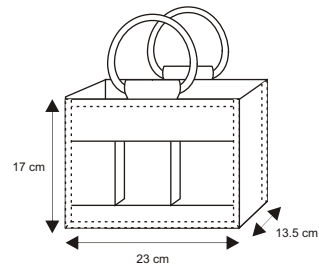
Bag shape No.	:	CB 3B
No. of bags per carton	:	90
No. of carton per 20 ft container	:	295
Total No. of bags per 20 ft container	:	26550
Bag weight in (gms.)	:	130
Net weight in (kg)	:	11.70
Gross weight in (kg)	:	13.30
Empty carton weight in (kg)	:	1.6
Carton dimension	:	18x18x18
Carton size in (cbm)	:	0.10
No. of carton per (cbm)	:	10.00
Gross weight per cbm	:	133.00

CB 4A



Bag shape No.	:	CB 4A
No. of bags per carton	:	100
No. of carton per 20 ft container	:	295
Total No. of bags per 20 ft container	:	29500
Bag weight in (gms.)	:	116
Net weight in (kg)	:	11.60
Gross weight in (kg)	:	13.20
Empty carton weight in (kg)	:	1.6
Carton dimension	:	18x18x18
Carton size in (cbm)	:	0.10
No. of carton per (cbm)	:	10.00
Gross weight per cbm	:	132.00

CB 6B



Bag shape No.	:	CB 6B
No. of bags per carton	:	75
No. of carton per 20 ft container	:	295
Total No. of bags per 20 ft container	:	22125
Bag weight in (gms.)	:	148
Net weight in (kg)	:	11.10
Gross weight in (kg)	:	12.70
Empty carton weight in (kg)	:	1.6
Carton dimension	:	18x18x18
Carton size in (cbm)	:	0.10
No. of carton per (cbm)	:	10.00
Gross weight per cbm	:	127.00

HOW TO ORDER YOUR BAG

YOUR COMPANY DETAILS (OR YOUR VISITING CARD)

Name :
Designation :
Company :
Address :
.....
Tel. No. :
Mob. No :
Fax No. :
E-mail : Web :

YOUR PRODUCT CODE

STEP: 1 Bag shape : (Code No.) :
STEP: 2 Printing option :
STEP: 3 Fabric colour shade No. :
STEP: 4 Label option (Option No.) :
STEP: 5 Label position option (Option No.) :
Pricing required : In FOB/ CIF/C&F :
Destination :

REMARKS

.....
.....
.....
.....

TERMS & CONDITIONS

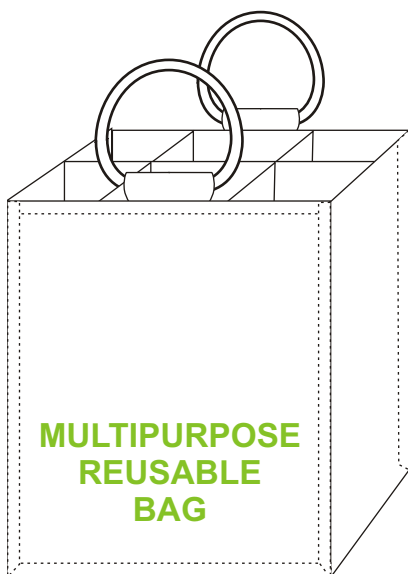
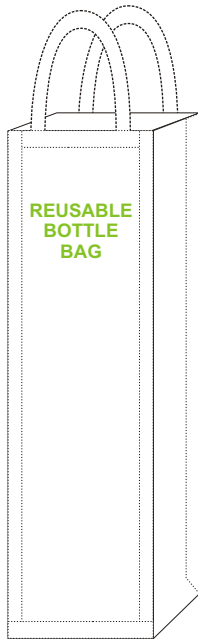
Advance Payment of 20% by T.T with the Purchase Order. **and** Balance 80% to be paid by T.T before 7 days of Delivery Date.
or
Balance 80% by CAD at sight from Bill of Lading Date.
or
Balance 80% by L/C at sight from any first class International Banks.

WHY CUSTOMERS WILL BUY

COST

1. Cost of Bag

Customer simply purchases bag for immediate use.



BENEFITS

1. Making a "GREEN" statement

2. Multi-Purpose & Re-Usable Bag

Customers are able to use the bag for all their daily needs to carry their wine bottle, water bottle or even an umbrella and if it's a six bottle bag then it could be used for multi-purposes.

3. Green Awareness

Customer creates awareness by educating others about the environment by using Jute bags.

4. Social Responsibility

Big step to protect the environment from plastic wastes.

5. Loyalty Bonus Points

Customer will get additional Loyalty Points on every time he buys this bags.
(Depends on loyalty schemes)

6. Loyalty Privilege Points

Customer will get daily loyalty points when he brings the bag back to shop again and again.
(Depends on loyalty schemes)

7. Special Rewards

Extra rewards for milestone usage of bag.
(Depends on loyalty schemes)

WHY GROCERY SHOP COMPANIES SHOULD SELL

COST

1. Loyalty Bonus Points

Free Loyalty Points to customers on every purchase of new Jute Bag.

2. Loyalty Privilege Points

Free Loyalty Points to Customers, who Re-uses the same bag again & again at the store.

LOYALTY CARD

Name

4477 3547 4578

Valid Till 12/2009

BENEFITS

1. Social Responsibility

Big step to protect the environment from plastic waste.

2. Commercial Benefit

Huge cost will be saved; which is spent on plastic bags given free to customers.

3. Profit from new product line

In doing good for the environment by selling Jute Bags from each grocery stores to the customers, Company will make some profit.

4. Much more profit from new product line

The cost of the jute bags can also be reduced by taking advertisement from different food supplier by printing one / multiple logos on one side of the bag. By doing this cost of the bag will be shared, whilst sale price the same and hence much more profit.

5. Increased Sales Revenue

New product line Revenues per shop will increase, at the same time sales overhead cost will reduce.

6. Much more Increased Sales Revenue

Re-usable bags when paired with a loyalty programme will encourage customers to return to the same shop or branch.

7. Eco-Promotional Campaign

Jute bags can be used for promotional campaigning.

8. Word of mouth Advertisement

Each customer buying bags will speak about the company's policy for introducing re-usable bags.

9. Far-Reaching Advertisement

Jute bags will have logo of the company and will create free advertisement.

10. Covering the cost of your Loyalty Programme

Earned loyalty points by the customers could be redeemed to purchase a new bag.

11. Brand Endorsement by Customers

By re-using the bag again & again in various places, your Customers endorses their loyalty for the Company.

Bio Degradable
Eco Friendly
Ecological
Recyclable
Soil Conservable
Reusable
Natural
Responsible



Ballyfabs International Limited
5, Middleton Street, Kolkata - 700 071, WB, India
Fax : +91 33 2289 2519, E-mail : info@thejuteshop.com
Web : www.thejuteshop.com